

POSH SKUA



4,100 DWT/ Platform Supply Vessel (PSV)/ DP 2 Call sign: J8B6114

Class Notation ABS +A1, Safety Standby Service GR B-(145), Fire Fighting Vessel Class 1, Offshore Support Vessel, Circle E, +AMS, +DPS-2, UWILD, Oil Recovery Capability Class 1, SPS, RW

Principal Particulars

Flag	Saint Vincent and the Grenadines
Year Built	2013
Place Built	Jingjiang Nanyang Shipbuilding Co. Ltd, China
Design Draft	6.00 m
Max Draft	6.20 m
Gross Tonnage	3,553
Net Tonnage	1,066
Deadweight (Max Draft)	4,156.0 T @ 6.20 m
Displacement	6,761.0 T
IMO No.	9671967
Design	POET 1513

Dimensions

Length Overall	78.00 m
Beam Overall	18.60 m
Depth Moulded	7.80 m

Performance

Max Speed	12.00 kts
Economical Speed	10.00 kts

* Subject to actual weather and operating conditions

Cargo Deck

Deck Cargo Area	770.0 m ²
Deck Cargo Dimension	50.0 m x 15.0 m
Deck Cargo Capacity	1,200.0 T
Deck Strength	7.5 T/m ²
Reefer Point	6 (4 x 440v , 2 x 220v)

Total Capacities

Fuel Tank	1,117.9 m ³
Fresh Water	512.2 m ³
Drill Water *	2,542.7 m ³ (shared with ballast water)
Ballast Water *	2,542.7 m ³ (shared with drill water)
Mud Tank *	720.9 m ³ (shared with brine)
Brine Tank *	892.0 m ³ (shared with mud)
Dry Bulk Tank	250.0 m ³ (in 4 tanks)

* Indicates tanks with shared capacity

Discharging Rates

Drill Water/Pump	1 x 100 m ³ /hr @ 80 m head
Fresh Water/Pump	1 x 100 m ³ /hr @ 80 m head
Fuel/Pump	1 x 100 m ³ /hr @ 80 m head
Brine/Pump	1 x 75 m ³ /hr @ 20 bar
Liquid Mud/Pump	1 x 75 m ³ /hr @ 20 bar
Dry Bulk Tank	1 x 35 m ³ /hr

Accommodation

1 – Berth Cabins	6
2 – Berth Cabins	6
4 – Berth Cabins	8
Total (POB)	50

Machinery & Equipment

Main Engine	Niigata 8L28HX, 2 x 2,206 kW
Diesel Generator	Caterpillar 4 x 640 kW, 440V/3/60Hz
Emergency Generator	Volvo D7A-T, 1 x 99 kW, 440V/3/60Hz

Thruster & Propulsion

Azimuth Thruster	Niigata ZP-41A, 2 x 2,206 kW
Bow Thruster	Kawasaki KT-88B3, 2 x 640 kW (2 x 9.6 T)

Deck Crane

Fixed Crane	SWL 5.0 T @ 12.0 m radius
-------------	---------------------------

Mooring Equipment

Anchors	2 x AC-14 HHP Anchor; 2,640 kg each
Anchor Windlass	2 x 10.0 T each @ 0-9 m/min
Tugger Winch	2 x 10.0 T each @ 12 m/min
Capstan	2 x 5.0 T each @ 0-12 m/min

Dynamic Positioning System

DP Class	DP 2 Kongsberg K-POS DP-21 + Independent Joystick
References	2 x DGPS + 1 x Cyscan system
MRU	2

Fire Fighting and Rescue

Firefighting System	FiFi 1
FiFi Pump	2 x 1,900 m ³ /hr
FiFi Monitor	2 x 1200 m ³ /hr
Spray Boom	2 x 6.0 m/Fixed Nozzle
Dispersant Capacity	39.23 m ³
Foam Capacity	39.23 m ³
Rescue Boat	2 x 15-man rigid hull waterjet FRC, 158 hp, > 8 kts
Life Raft	6 x 25-man
Life Buoy	16
Life Jacket	60

CARGO CAPACITY PLAN

Mud/Brine/R.O

Compartment	Volume 100% m ³
NO.1 MUD/BRINE/R.O/NO.5 W.B/D.W (P)	119.701
NO.1 MUD/BRINE/R.O/NO.5 W.B/D.W (S)	119.701
NO.2 MUD/BRINE/R.O/NO.6 W.B/D.W (P)	88.109
NO.2 MUD/BRINE/R.O/NO.6 W.B/D.W (S)	88.109
NO.3 MUD/BRINE/R.O/NO.7 W.B/D.W (P)	64.55
NO.3 MUD/BRINE/R.O/NO.7 W.B/D.W (S)	64.55
NO.4 MUD/BRINE/R.O/NO.8 W.B/D.W (P)	88.109
NO.4 MUD/BRINE/R.O/NO.8 W.B/D.W (S)	88.109
SUM	720.938

Fresh Water Tanks (S.G. = 1.000t/m³)

Compartment	Volume 100% m ³
NO.1 POTABLE WATER (P)	79.823
NO.1 POTABLE WATER (S)	77.19
NO.2 POTABLE WATER (P)	129.23
NO.2 POTABLE WATER (S)	63.7
NO.3 POTABLE WATER (P)	97.3
NO.3 POTABLE WATER (S)	64.978
SUM	512.221

Compartment

Compartment	Volume 100% m ³
NO.1 F.O T (P)	52.885
NO.1 F.O T (S)	48.892
NO.3 F.O T	96.117
NO.4 F.O T (P)	78.158
NO.4 F.O T (S)	78.158
NO.5 F.O T	132.119
F.O.D TANK (P)	17.755
F.O.D TANK (S)	17.755
SUM	521.839

Cargo Oil Tank (S.G. = 0.9t/m³)

Compartment	Volume 100% m ³
NO.2 C.F.O T (P)	295.19
NO.2 C.F.O T (S)	300.94
SUM	596.13

Compartment

Compartment	Volume 100% m ³
DEDICATED BRINE	172.725
SUM	172.725

Compartment

Compartment	Volume 100% m ³
METHANOL (P)	144.59
METHANOL (S)	147.22
SUM	291.81

Base Oil

Compartment	Volume 100% m ³
BASE OIL (P)	57.099
BASE OIL (S)	160.421
SUM	217.52

Water Ballast / Drill Water Tanks (S.G. = 1.025t/m³)

Compartment	Volume 100% m ³
FORE PEAK TANK NO.1 W.B/D.W	235.8
NO.2 W.B/D.W (P)	20.578
NO.2 W.B/D.W (S)	17.715
NO.3 W.B/D.W (P)	77.32
NO.3 W.B/D.W (S)	77.32
NO.3 W.B/D.W (DBP)	43.253
NO.3 W.B/D.W (DBS)	43.253
NO.4 W.B/D.W (P)	97.89
NO.4 W.B/D.W (S)	99.97
NO.9 W.B/D.W (P)	168.667
NO.9 W.B/D.W (S)	168.667
NO.10 W.B/D.W (P)	58.212
NO.10 W.B/D.W (S)	58.212
NO.11 W.B/D.W	81.023
NO.12 W.B/D.W (DB)	256.01
NO.13 W.B/D.W (P)	54.635
NO.13 W.B/D.W (S)	54.635
NO.14 W.B/D.W (P)	99.22
NO.14 W.B/D.W (S)	109.45
NO.1 MUD/BRINE/R.O/NO.5 W.B/D.W (P)	119.701
NO.1 MUD/BRINE/R.O/NO.5 W.B/D.W (S)	119.701
NO.2 MUD/BRINE/R.O/NO.6 W.B/D.W (P)	88.109
NO.2 MUD/BRINE/R.O/NO.6 W.B/D.W (S)	88.109
NO.3 MUD/BRINE/R.O/NO.7 W.B/D.W (P)	64.55
NO.3 MUD/BRINE/R.O/NO.7 W.B/D.W (S)	64.55
NO.4 MUD/BRINE/R.O/NO.8 W.B/D.W (P)	88.109
NO.4 MUD/BRINE/R.O/NO.8 W.B/D.W (S)	88.109
SUM	2542.768

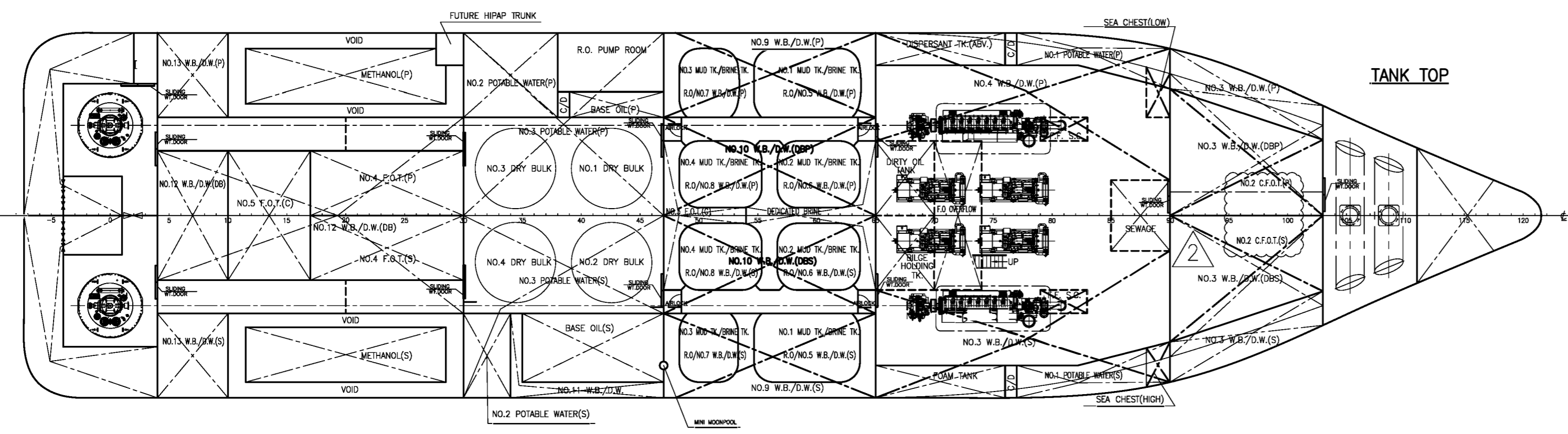
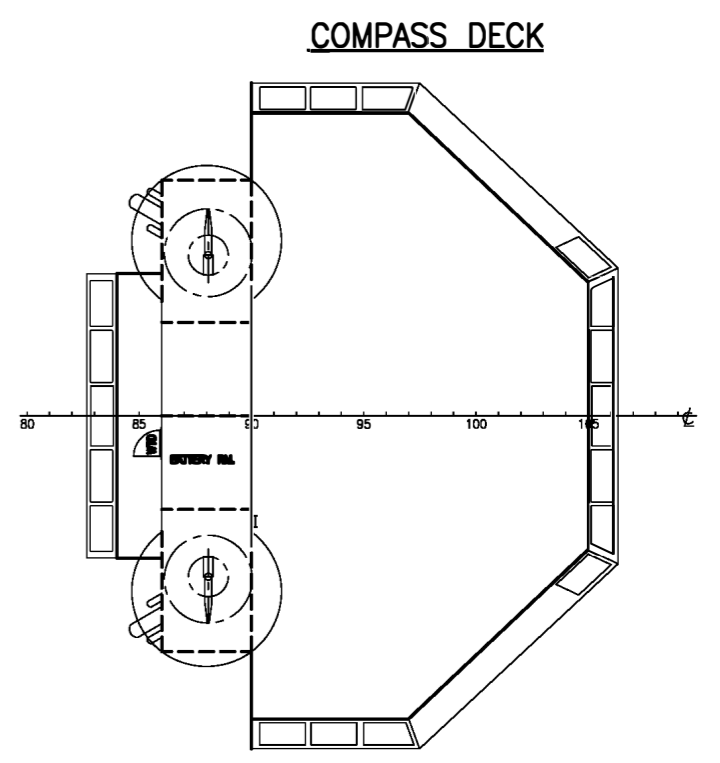
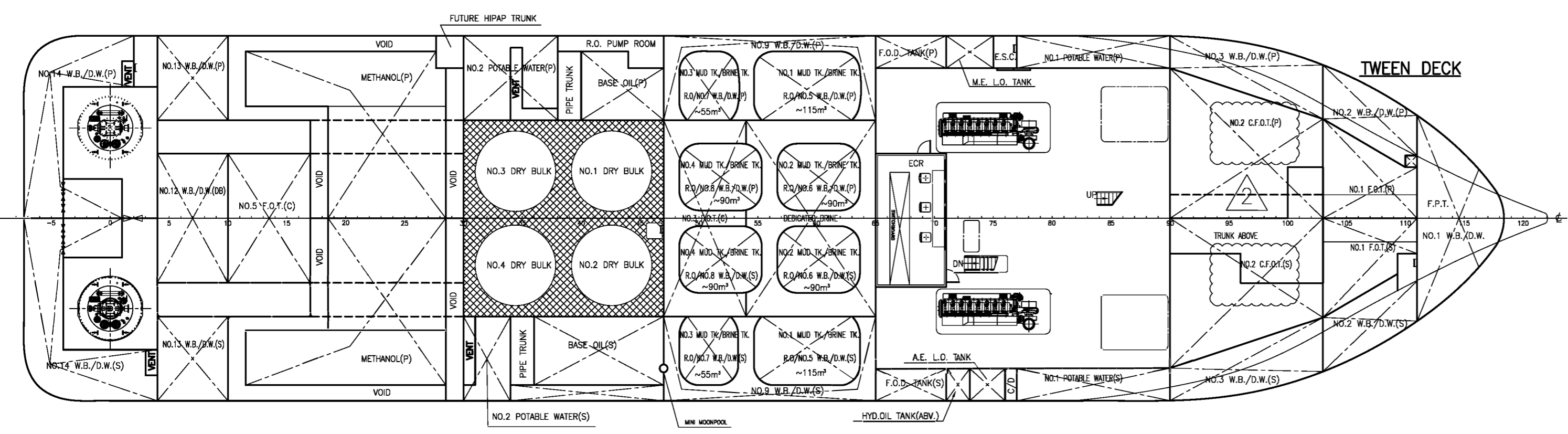
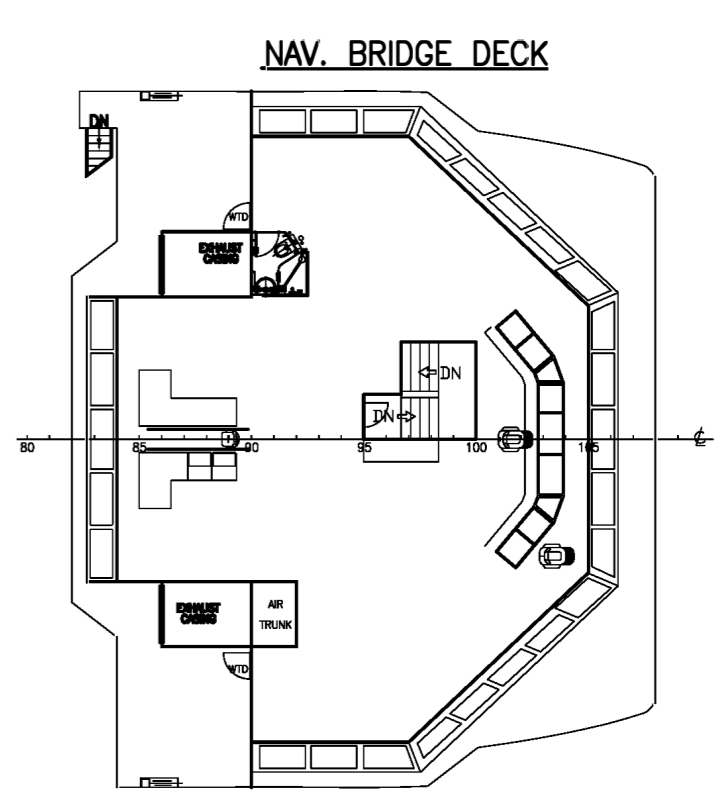
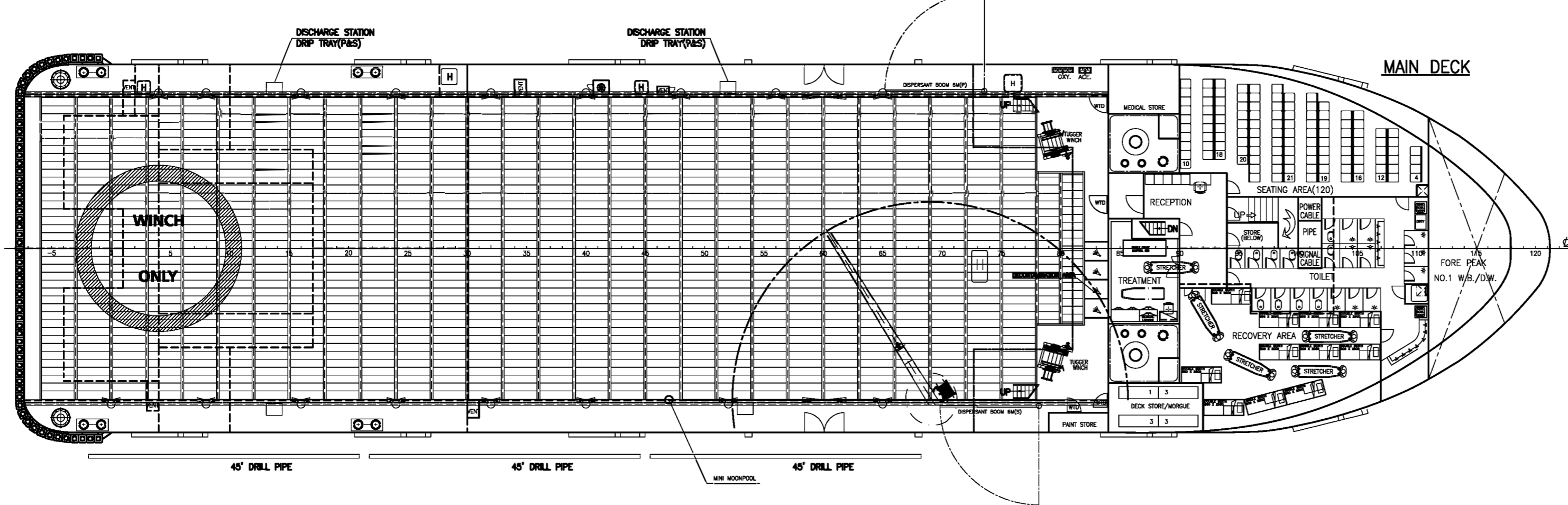
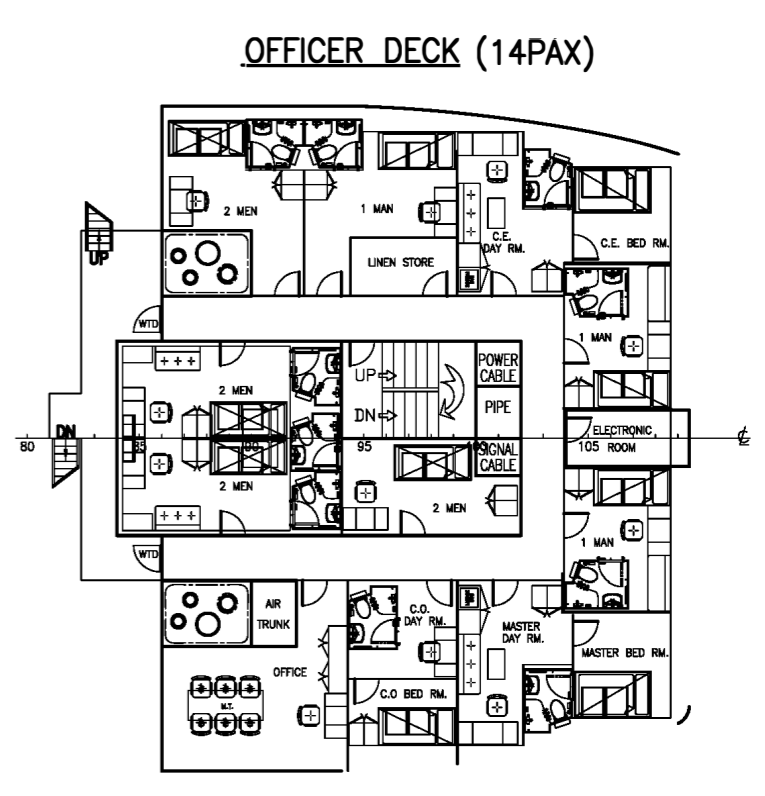
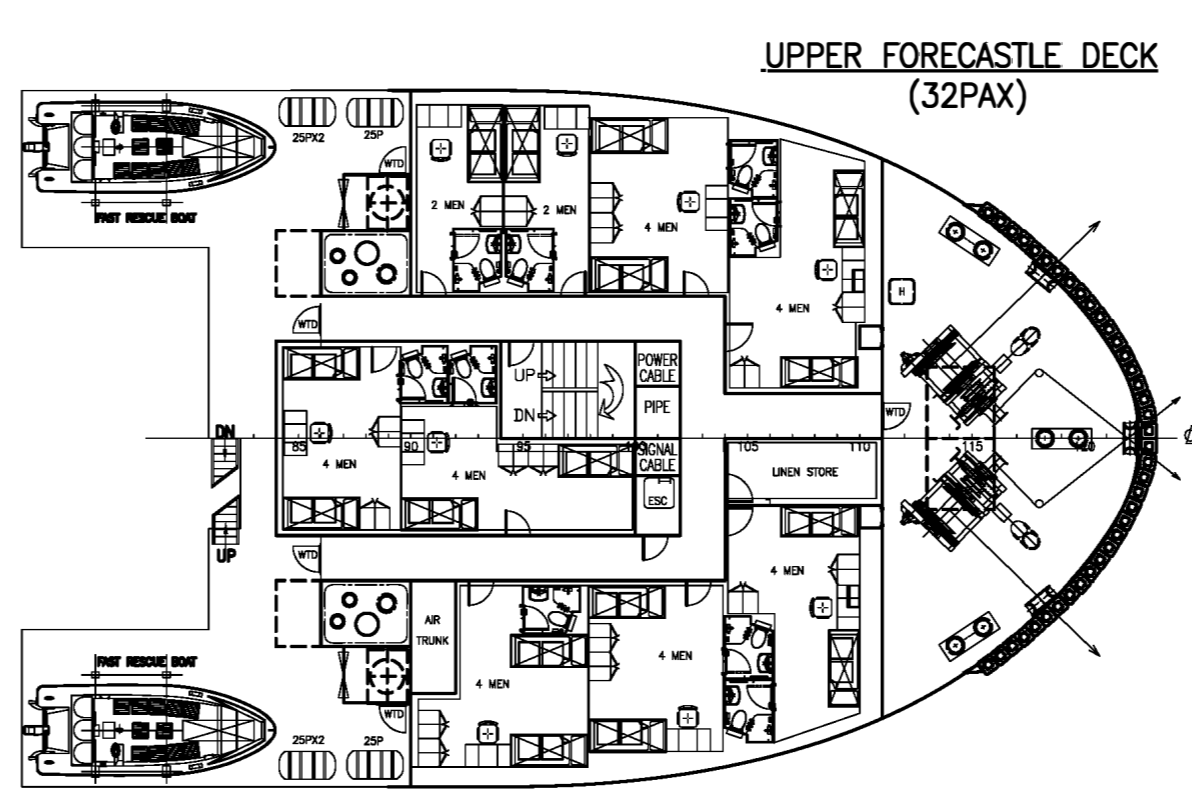
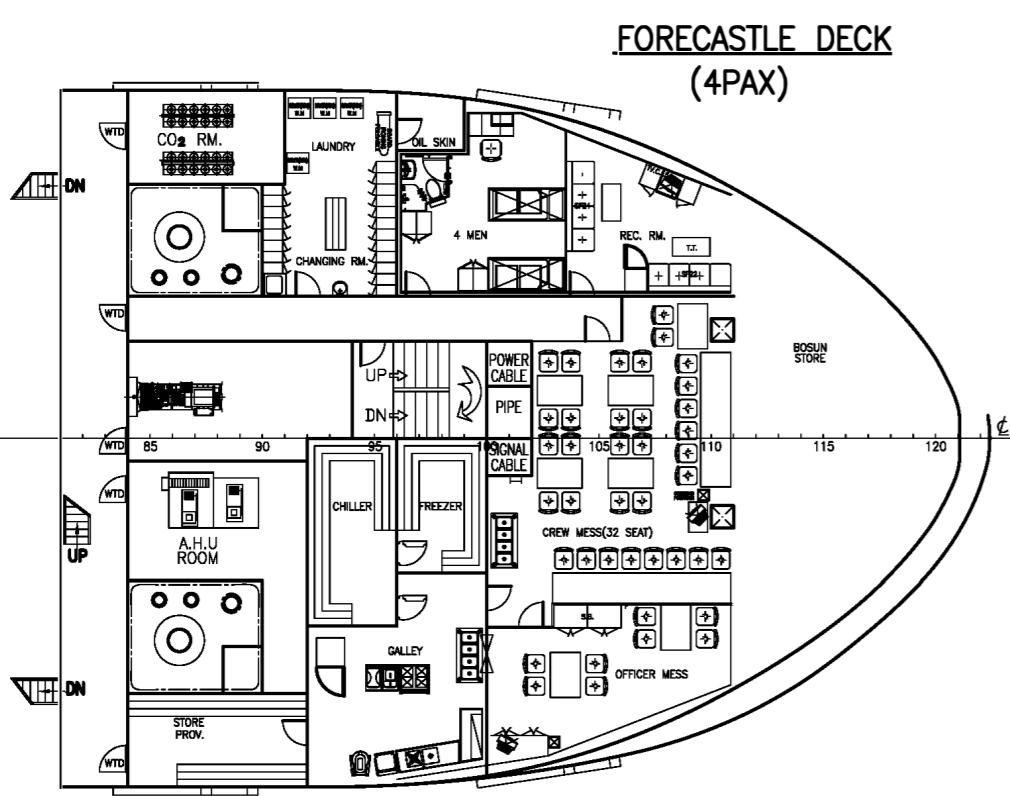
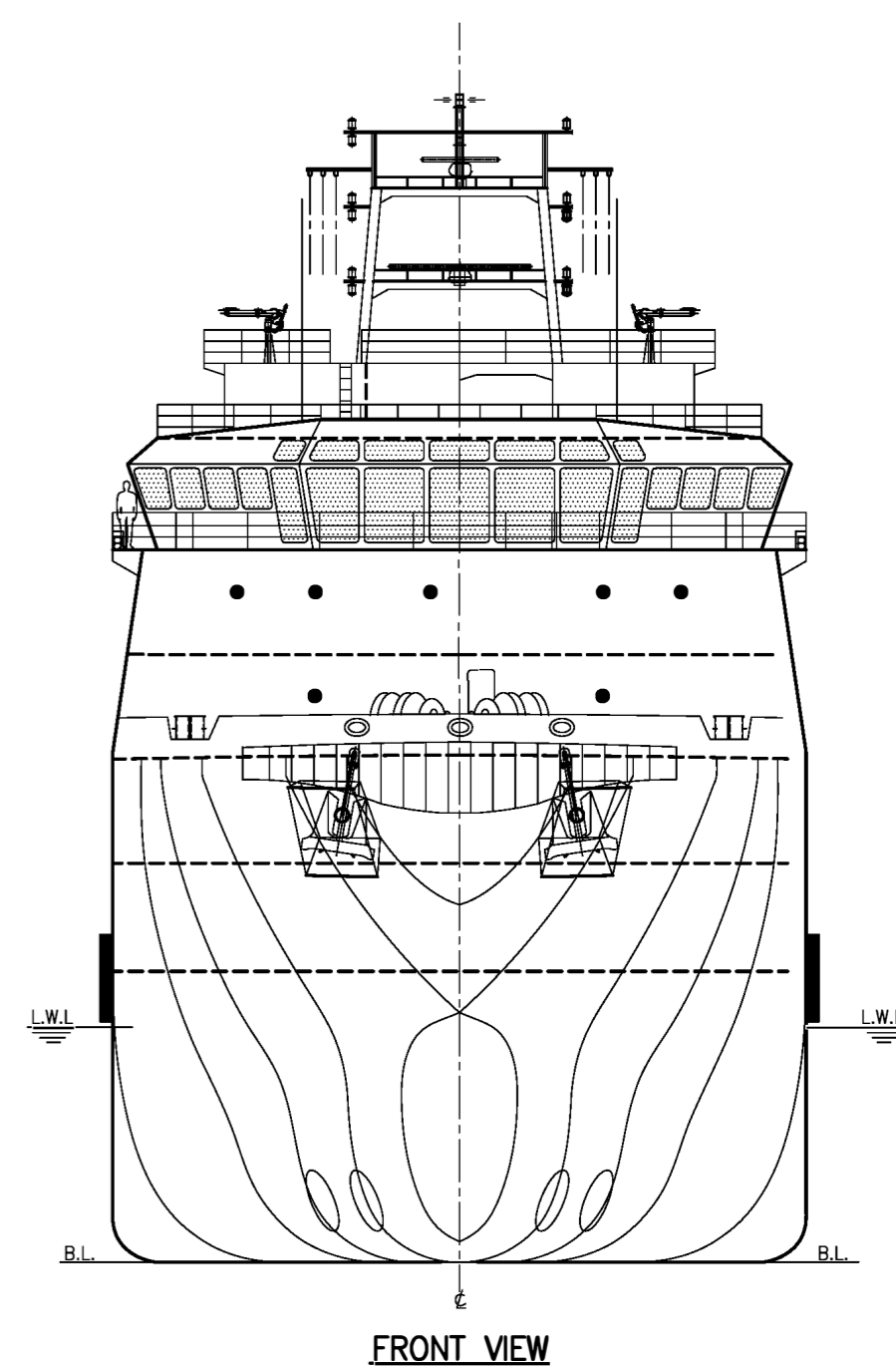
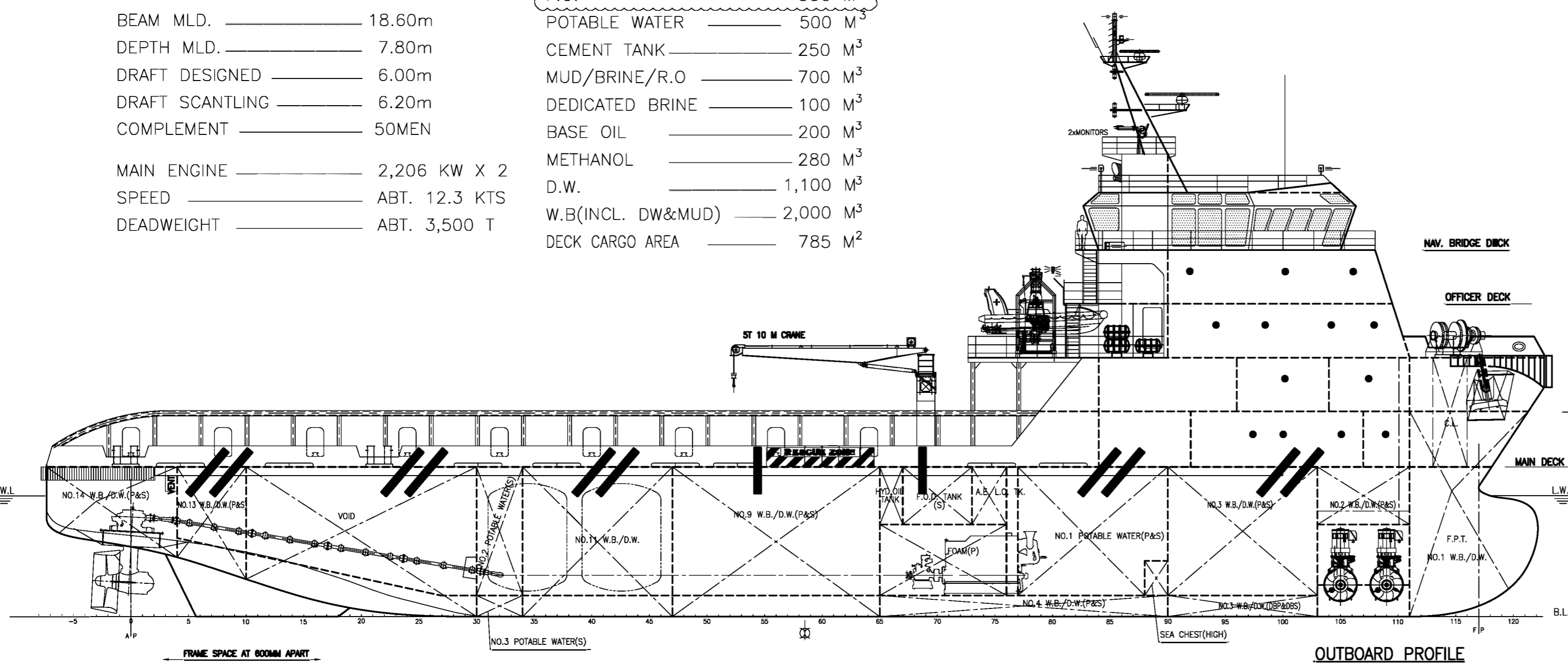
Compartment

Compartment	Volume 100% m ³
NO.1 DRY BULK	62.5
NO.2 DRY BULK	62.5
NO.3 DRY BULK	62.5
NO.4 DRY BULK	62.5
SUM	250

FOCAL 522 78M PSV

PRINCIPAL PARTICULARS

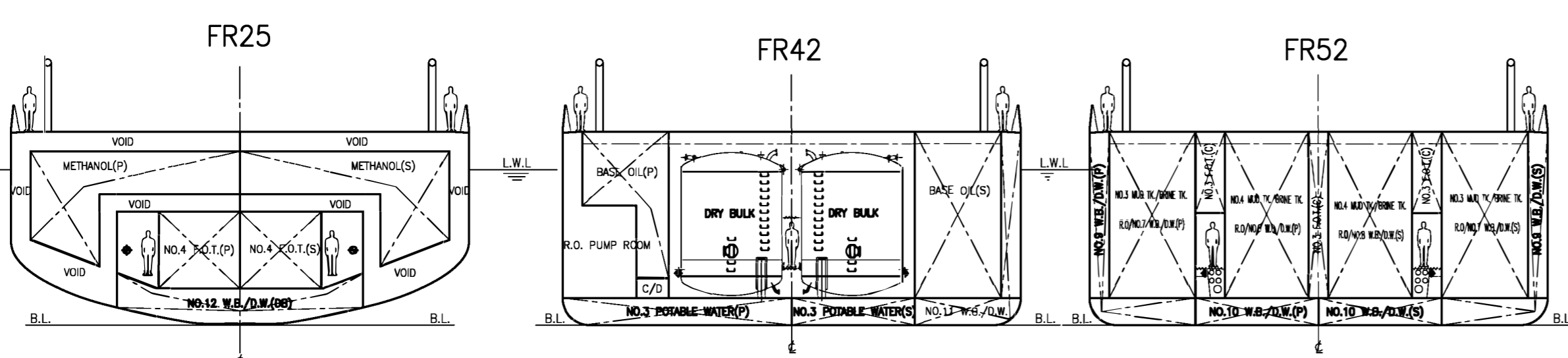
LENGTH OA	78.00m	C.F.O.	620 M ³
LENGTH BP	70.20m	F.O.	330 M ³
BEAM MLD.	18.60m	POTABLE WATER	500 M ³
DEPTH MLD.	7.80m	CEMENT TANK	250 M ³
DRAFT DESIGNED	6.00m	MUD/BRINE/R.O	700 M ³
DRAFT SCANTLING	6.20m	DEDICATED BRINE	100 M ³
COMPLEMENT	50MEN	BASE OIL	200 M ³
		METHANOL	280 M ³
MAIN ENGINE	2,206 KW X 2	D.W.	1,100 M ³
SPEED	ABT. 12.3 KTS	W.B(INCL. DW&MUD)	2,000 M ³
DEADWEIGHT	ABT. 3,500 T	DECK CARGO AREA	785 M ²



ISSUED FOR APPROVAL

CLASS: ABS A1 OFFSHORE SUPPORT VESSEL, OIL RECOVERY CAPABILITY CLASS 1, SAFETY STANDBY
SERVICE GR B-(145), FIRE FIGHTING VESSEL CLASS 1, AMS DPS-2

2	AMENDED AS PER OWNER COMMENTS	L.J.	JUL-9-2012
1	AMENDED AS PER OWNER COMMENTS	F.W.F	FEB-21-2012
0	ISSUED FOR APPROVAL	ZF	SEP-13-2011
REV NO.	REVISION DESCRIPTION	BY	DATE
OWNER			
BUILDER			
POET SHIPBUILDING & ENGINEERING PTE LTD			
HULL NO.: POET 1513/1514			
PROJECT			
78M PLATFORM SUPPLY/OIL RECOVERY /SAFETY STANDBY VESSEL "FOCAL 522"			
APPROVE	DWG TITLE:	JOB NO.: P-1510	
VERIFIER	GENERAL ARRANGEMENT	DWG NO.: P-1510-G01	
CHECKER		SCALE: 1:200(A1)	
DRAWER		ZF	CLASS: ABS



THIS DOCUMENT AND THE CONTENT ARE COPYRIGHT AND REMAIN PROPERTY OF FOCAL MARINE & OFFSHORE PTE LTD. THEY MUST NOT BE COPIED IN WHOLE OR IN PART TO ANY THIRD PARTY FOR ANY PURPOSE WITHOUT PRIOR WRITTEN PERMISSION FROM FOCAL MARINE & OFFSHORE PTE LTD. THE RECEIPT OF THIS DOCUMENT IMPLIES ACCEPTANCE OF THIS CONDITION.